

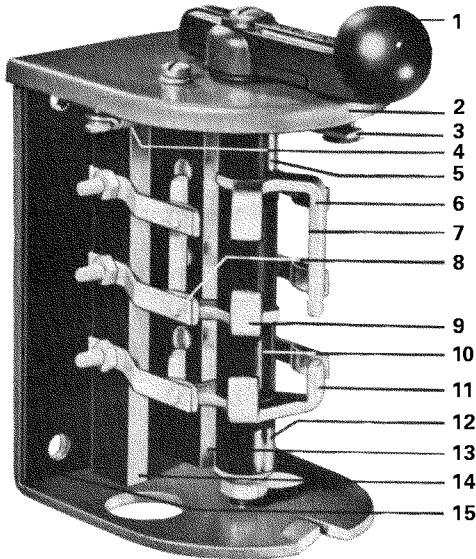


Replacement Parts

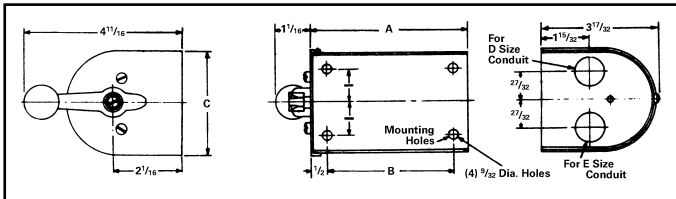
58-GJ2

November 2003

Reversing Drum Controller
3 HP
Class 58, J2



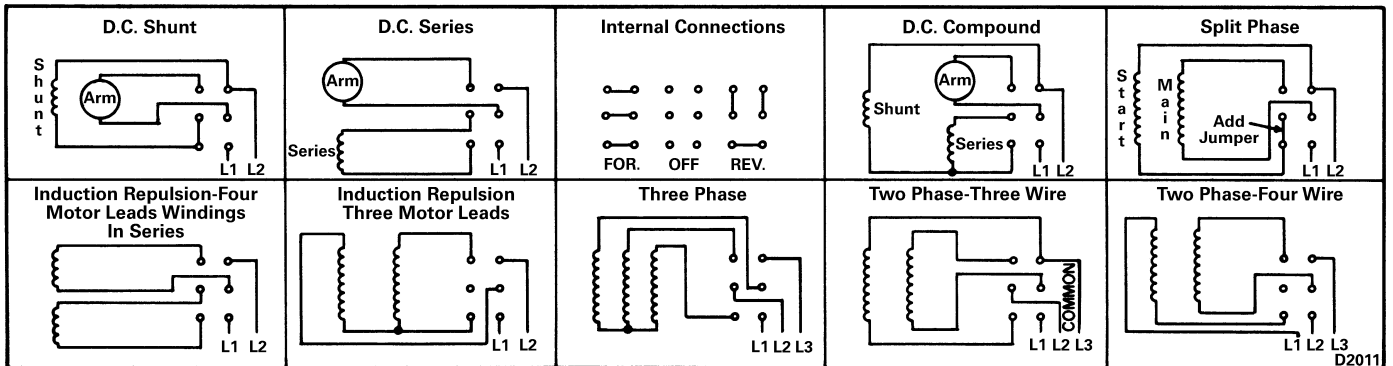
**Outline Drawing
D3433**



Index	Part No.	Pcs. Reqd.	Name Of Part
	D27960010	1	Rotor assembly complete with spindle, cam rotor sleeves, outer tubing & contacts
1	D55711-001	1	Radial handle (plastic molded)
2	D08592001	2	Top
3	D10288-001	1	Lever and roller assembly*
4	D00985002	1	Spring*
5	D08980014	1	Outer tubing
6	D03275-001	1	Rotor contact*
7	D09369001	2	Rotor sleeves
8	D14161-001	6	Finger*
9	D03275002	1	Rotor contact*
10	D09369001	1	Rotor sleeve
11	D03275006	1	Rotor contact*
12	D08980-029	1	Outer tubing
13	D08959001	1	Fingerboard (R.H.)
14	D08959001	1	Fingerboard (L.H.)
15	D08795001	7	Frame insulation
	D08964003	1	Cover assembly complete with nameplate and insulation (not shown)
	D09129001	2	Contact shields (not shown)
	D08945001	1	Contact shield (not shown)
	D12353001	1	Washer (not shown)

PK20 Parts kit includes all marked with asterisk (*).

WHEN ORDERING REPLACEMENT PARTS, GIVE STYLE OF SWITCH AND PART NUMBER.



(For Engineering Reference Only - Rev. C)