

Speed Responsive Switch

2310

Price List 2310 • May 2010, Replaces July 2008 • Discount Code FJ

Non-Contact Speed Responsive Switches 2 Wire AC or 3 Wire Low Voltage DC

Catalog Identification	Catalog Part Number	Description 2 Wire 120 VAC	List Price
2310-LSP	HC48910101	Low Speed, Plastic Housing	\$1,118
2310-HSP	HC48910102	High Speed, Plastic Housing	\$1,118
2310-LSHP	HC48910151	Low Speed, Nickel-Plated Sleeve	\$1,260
2310-HSNP	HC48910152	High Speed, Nickel-Plated Sleeve	\$1,260

Catalog Identification	Catalog Part Number	Description 3 Wire 12-24 VDC "Load Sinking"	List Price
2310-NPNOLSP	HC48952101	Low Speed, Plastic Housing N.O. Contact	\$1,948
2310-NPNCLSP	HC48952102	Low Speed, Plastic Housing N.C. Contact	\$1,948
2310-NPNOHSP	HC48952103	High Speed, Plastic Housing N.O. Contact	\$1,948
2310-NPNCHSP	HC48952104	High Speed, Plastic Housing N.C. Contact	\$2,090
2310-NPNOLSNP	HC48952151	Low Speed, Nickel-Plated Sleeve N.O. Contact	\$2,090
2310-NPNCLSNP	HC48952152	Low Speed, Nickel-Plated Sleeve N.C. Contact	\$2,090
2310-NPNOHSNP	HC48952153	High Speed, Nickel-Plated Sleeve N.O. Contact	\$2,090
2310-NPNCHSNP	HC48952154	High Speed, Nickel-Plated Sleeve N.C. Contact	\$2,090

Catalog Identification	Catalog Part Number	Description 3 Wire 12-24 VDC "Load Sourcing"	List Price
2310-PNPOLSP	HC48953101	Low Speed, Plastic Housing N.O. Contact	\$1,948
2310-PNPCLSP	HC48953102	Low Speed, Plastic Housing N.C. Contact	\$1,948
2310-PNPOHSP	HC48953103	High Speed, Plastic Housing N.O. Contact	\$1,948
2310-PNPCHSP	HC48953104	High Speed, Plastic Housing N.C. Contact	\$1,948
2310-PNPOLSNP	HC48953151	Low Speed, Nickel-Plated Sleeve N.O. Contact	\$2,090
2310-PNPCLSNP	HC48953152	Low Speed, Nickel-Plated Sleeve N.C. Contact	\$2,090
2310-PNPOHSNP	HC48953153	High Speed, Nickel-Plated Sleeve N.O. Contact	\$2,090
2310-PNPCHSNP	HC48953154	High Speed, Nickel-Plated Sleeve N.C. Contact	\$2,090

Prices are subject to change without notice.

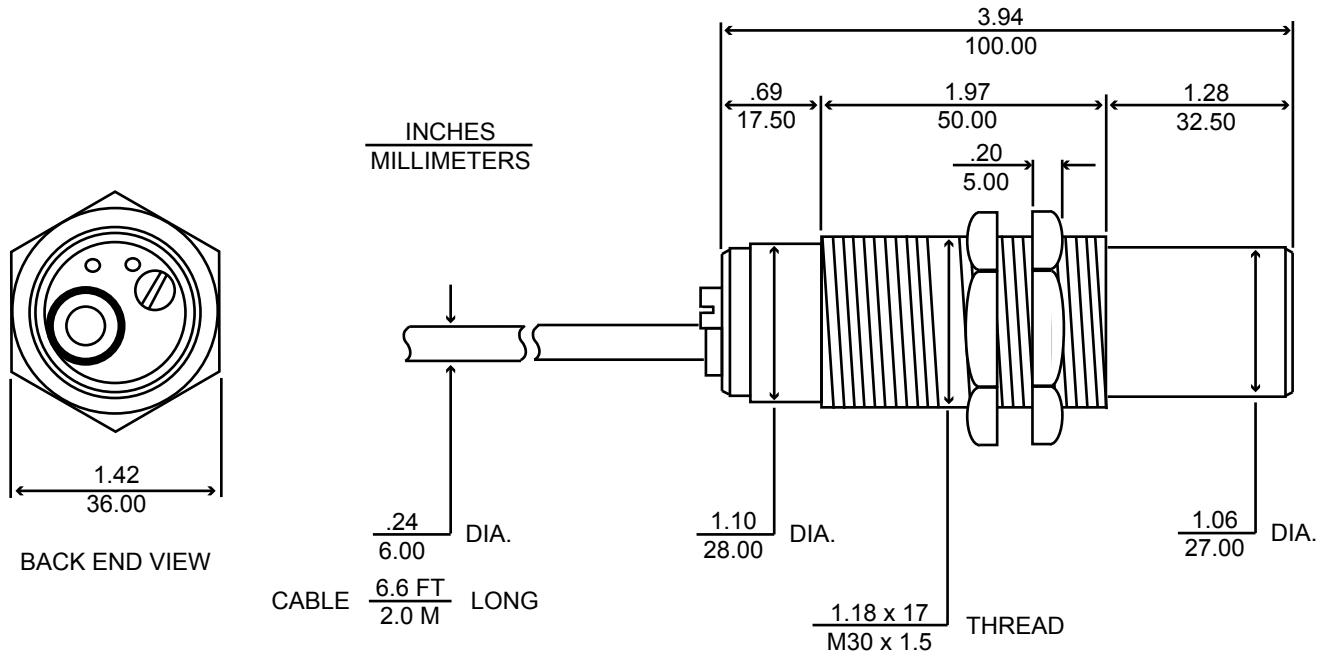
Accessories and Dimensions on following page.

Speed Responsive Switch

2310

Price List 2310 • May 2010, Replaces July 2008 • Discount Code FJ

OUTLINE DRAWING NON-CONTACT SPEED SWITCH



ACCESSORIES		
Description	Part Number	List Price
Black Mounting Jam Nut	HC48916001	\$20
Nickel-Plated Brass Jam Nut	HC48916002	\$30
Mounting Bracket	HC48943000	\$14

See Catalog 2310
for Application Information

Prices are subject to change without notice.



Hubbell Industrial Controls, Inc.

a subsidiary of Hubbell Incorporated
4301 Cheyenne Drive, Archdale, NC 27263
Phone (336) 434-2800 • Fax (336) 434-2803
www.hubbell-icd.com
sales@hubbell-icd.com